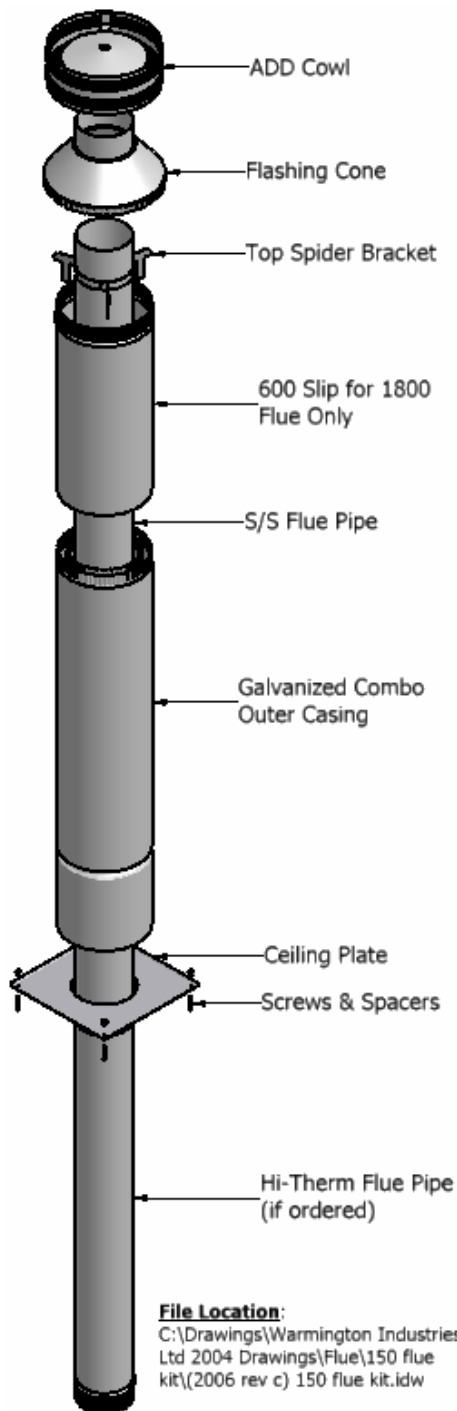


Industries 1994 LTD
 PO Box 58652 Greenmount, Auckland
www.Warmington.co.nz

NOTE: Flue kit has been manufactured in accordance with NZS 2918 : 2001 and tested to Appendix F. To ensure safety flue kit is to be installed as per instructions. Flue pipe clearances from combustable walls must be in accordance with manufactures heater specifications and AS/NZS 2918 : 2001. The instructions are for tested appliances only.

Due to continued product improvement, Warmington Ind LTD reserves the right to change product specifications without prior notification

**150mm Freestanding Flue Kit 1800 / 1200
 3.6mtr Black High-Temp
 (Wood Fire)
 Installation Instructions
 (GUIDE ONLY)**



File Location:
 C:\Drawings\Warmington Industries
 Ltd 2004 Drawings\Flue\150 flue
 kit\2006 rev c) 150 flue kit.idw



Ensure That You Have The Correct And Current Installation Details For The Fire That Is To Be Installed.

Industries 1994 LTD
PO Box 58652 Greenmount, Auckland
WWW.Warmington.co.nz

150mm Freestanding Flue Kit 1800 / 1200
3.6mtr Black High-Temp
(Wood Fire)
Installation Instructions
(GUIDE ONLY)

NOTE: Flue kit has been manufactured in accordance with NZS 2918 : 2001 and tested to Appendix F. To ensure safety flue kit is to be installed as per instructions. Flue pipe clearances from combustible walls must be in accordance with manufactures heater specifications and AS/NZS 2918 : 2001. The instructions are for tested appliances only.

Due to continued product improvement, Warmington Ind LTD reserves the right to change product specifications without prior notification

This flue kit has been manufactured in accordance with NZS 2918:2001 and tested to Appendix F. To ensure safety, this flue kit must be installed as outlined in these instructions. Heater and flue pipe clearances from combustible walls must be in accordance with heater manufacture's specifications and AS/NZS 2918:2001. These installation instructions are for tested appliances only.

- STAGE 1:** Locate heater in its proposed position and mark a point on the ceiling that is directly above the centre of the heater's flue outlet. Check that the heater's location allows the **Outer Casing** to clear all structural roof timbers.
- STAGE 2:** Cut a 250mm square hole in ceiling. Directly above, cut a hole in roof to accommodate **Outer Casing**.
- STAGE 3:** Fit timber nogs around ceiling and roof holes, i.e. Nogs form a 250mm square aperture, which allows air to circulate freely over the **Outer Casing** surface.
- STAGE 4:** Position the **Outer Casing** so that it is flush with the underneath of the ceiling and protrudes through the roof the required height (Refer to AS/NZ 2918:2001 if more details are required. When calculating roof penetration height, allow for an extra 500mm that can be achieved by using the **Outer Casing Slip Extension**.
- A:** If the flue is within three metres of the ridge, the **Outer Casing** must protrude at least 600mm above the ridge of the roof.
B: If the distance from the ridge is more than three metres, the **Outer Casing** must protrude at least 1000mm above roof penetration.
- STAGE 5:** Fix an appropriate flashing around the **Outer Casing** to seal onto the roofing material.
- STAGE 6:** Assemble **Flue Pipes** together ensuring seams are in line. Secure each joint with three rivets or self-tapping screws. **Flue Pipes** must be assembled with crimped ends down (towards heater).
- STAGE 7:** Place **Ceiling Plate** over heater flue spigot, ensuring the folded edge up stands are facing ceiling.
- STAGE 8:** From the roof, lower **Flue Pipes** through **Outer Casing** into position.
- STAGE 9:** From the roof, slide the **Inner Casing** into the **Outer Casing** until it rests 12mm above ceiling level.
- STAGE 10:** Before securing the **Outer Casing Slip Extension** to the **Outer Casing** with three rivets or self tapping screws, ensure the **Flue Pipes** extends above the top of the **Outer Casing Slip Extension** 145mm. Adjust **Slip Extension** to obtain this measurement. If minimum roof penetration heights described earlier can not be achieved, add sufficient stainless steel **Flue Pipe**.
- STAGE 11:** Fit **Top Spacer Bracket** to the **Flue Pipe** making sure the lugs fit snugly inside **Outer Casing Slip Extension**. Make sure **Top Spacer Brackets** fits hard down onto **Outer Casing Slip Extension**.
- STAGE 12:** Fit **Flashing Cone** over the **Flue Pipe** and push down firmly onto **Top Spacer Bracket**. Secure with a rivet or self-tapping screw.
- STAGE 13:** Fit **ADD Cowl** but do not secure, as removal for flue cleaning will be necessary.
- STAGE 14:** Fasten **Ceiling Plate** to ceiling using screws and spacers provided. Ensure an even air gap around **Flue Pipe** when fixing. Remove protective plastic from **Ceiling Plate**.
N.B. 12mm air gap between ceiling plate and ceiling must be maintained.
- STAGE 15:** Fit **Bracket & Bands** to **Flue Pipe** above firebox. Attach **S/S Reflector** to **brackets**, Bands may be removed and brackets can be connected to **Flue Pipe**.
- N.B.** It is the responsibility of the installer to ensure that the installation of the flue kit complies with AS/NZ 2918:2001, the appliance manufacture's specifications for flues and that relevant Local Body requirements are adhered to.